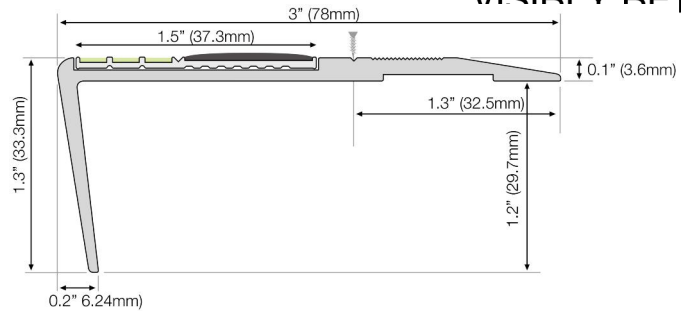
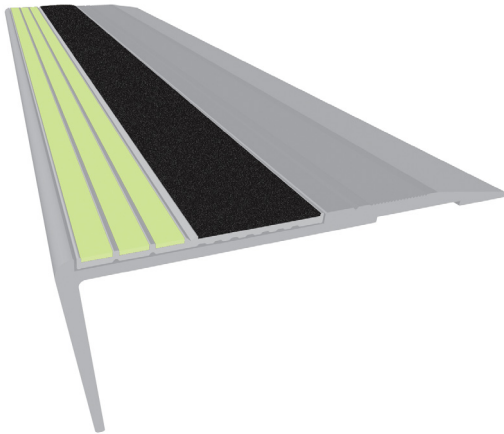


F6 Series Flat Nosing



VISIRI V RETTER



The F6 Series is a right-angled aluminium step nosing for fitting to the edge of steps in public stairways, exit ways and all other applications where pathfinding in darkness and step edge contrast is an issue. The ecoglo® F6 series has a 3 inch (78mm) tread to cover up imperfections or irregularities in the step, and is designed to be visible

in all light conditions to enhance the safe and efficient movement of people. It also provides an extra non-slip surface supplementing the step's own non-slip properties.

The F6 step nosing is designed to reduce falls and enhance egress speed in all egress situations. The F6 series flat nosing can also be fitted over steps with an industrial or commercial type carpet (with no underlay) and up to 0.3 inch (6mm) thick.

Black Non-Slip – F6171, Yellow Non-Slip – F6151, Grey Non-Slip – F6161

Benefits and Technical Details Ecoglo F6 series meets or exceeds the performance criteria specified in the following tests or standards:

1. **High Visibility in Dark or Light conditions.**

Brightness:

ASTM E2073-02, Standard Test Method for Photopic Luminance of Photoluminescent (Phosphorescent) Markings.

DIN 67510 Part 1, Phosphorescent Pigments and Products: Measurement and identification by the manufacturer.

ISO 17398:2004 Clause 7.11, Safety Colours and Safety Signs- Classification, Performance and Durability of Safety Signs.

2. **High Durability Indoors and Outdoors.**

UV Stability: ASTM G155-04 Cycle 1 2000hrs, Standard Practice for Operating Xenon Arc Light Apparatus for Exposure of Nonmetallic Materials.

Salt Spray Resistance: ASTM B117-97 500hrs, Standard Practice for Operating Salt Spray (Fog) Apparatus.

Freeze-Thaw Resistance: ASTM C1026-87(1996), Standard Test Method for Measuring the Resistance of Ceramic Tile to Freeze-Thaw Cycling.

3. **Reduces Slips.**

Slip Resistance: UL410, Standard for Slip Resistance for Floor Surface Materials.

AS/NZS 4586-1999, Slip Resistance Classification of New Pedestrian Surface Materials.

4. **Hard Wearing**

Abrasion Resistance:

ASTM D1242-95a, Standard Test Methods for Resistance of Plastic Materials to Abrasion.

ASTM B 244-97, Test Methods for Measurement of Anodic Coatings on Aluminum and other Nonconductive Coatings on Nonmagnetic Basis Metals with Eddy-Current Instruments.

ASTM B137-95(2000), Test Method for Measurement of Coating Mass per Unit Area of Anodically Coated Aluminum.

ASTM F510-93(2004), Standard Test Method for Resistance to Abrasion of Resilient Floor Coverings Using an Abrader with a Grit Feed Method.

JIS H8682-1:1999, Test methods for abrasion resistance of anodic oxide coatings on aluminium and aluminium alloys- Wheel wear test.

5. **Easy Cleaning.**

Washability:

ASTM D4828-94(2003), Standard Test Methods for Practical Washability of Organic Coatings.

ASTM B136-84(1998), Standard Test Method for Measurement of Stain Resistance of Anodic coatings on Aluminum.

6. **No Radioactivity or Toxicity.**

Radioactivity: ASTM D3648-2004, Standard Practices for the Measurement of Radioactivity.

Toxicity: Bombardier SMP 800-C (2000), Toxic Gas Generation Test.

7. **Does not burn.**

Flammability:

ASTM E162-02, Standard Test Method for Surface Flammability of Materials Using a Radiant Heat Energy Source.

ASTM D635-03, Standard Test Method for Rate of Burning and/or Extent and Time of Burning of Plastics in a Horizontal Position.

FAA AC 23.2 Paragraph 4.b, Horizontal Burn Test.