

© 2008 ACCESS PRODUCTS INC.
CONFIDENTIAL AND PROPRIETARY DOCUMENT

ECOGLO IS SUBJECT TO PATENTS ISSUED
US7297388 AND US6726952 AND
OR PENDING IN THE UNITED STATES,
AUSTRALIA, CANADA AND INTERNATIONALLY.

® ECOGLO LOGO IS A TRADE MARK
REGISTERED IN THE UNITED STATES, CANADA
AND INTERNATIONALLY.

MATERIAL LIST

ITEM	DESCRIPTION	PART NO.	QTY
1	PREMIUM URETHANE ADHESIVE		
2			
3			
4			
5			

REFERENCE DRAWINGS

DWG. NO.	DESCRIPTION
EC-5001	END CAP 5001

No.	DATE	REVISION	APPR.

SCALE N.T.S.

DESIGNED BY	ECOGLO	DATE	2002
DRAWN BY	A.M.	DATE	
CHECKED BY	K.S.	DATE	08/11/08

PROJECT MANAGER D.M.

TRADE HANDRAIL STRIP PART NO. H5S-HS

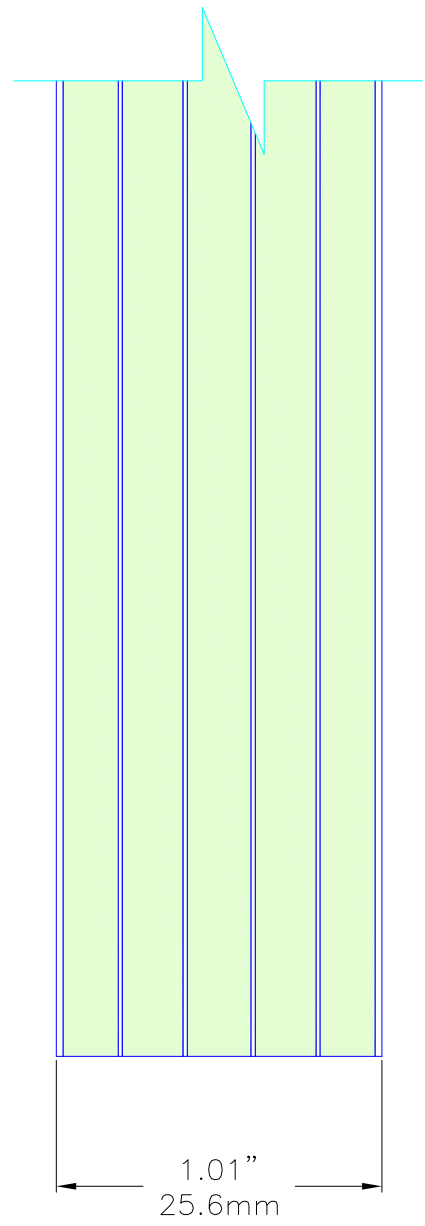
MATERIAL PLM ALUMINUM



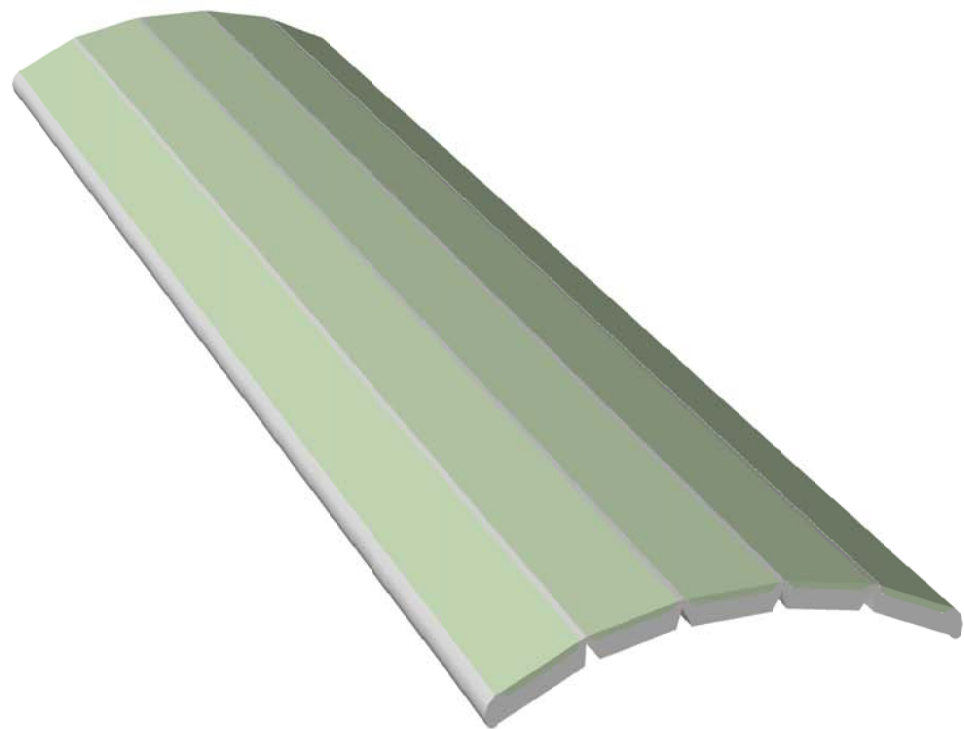
PROJECT

ECOGLO
HS5 SERIES
HANDRAIL STRIP

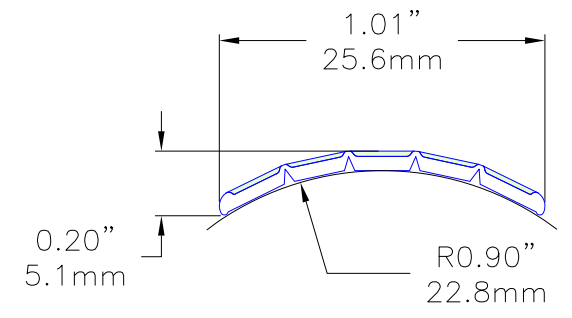
DRAWING NO.	SHT. NO.	REV. NO.
H5HS	01	00



ECOGLO-TOP
H5 SERIES HANDRAIL STRIP



PHOTOLUMINESCENT ECOGLO H5 SERIES HANDRAIL STRIP
(PART NO. H5001)
FOR END CAP
SEE DWG. EC-5001



ECOGLO-PROFILE
H5 SERIES HANDRAIL STRIP