

© 2008 ACCESS PRODUCTS INC.
CONFIDENTIAL AND PROPRIETARY DOCUMENT

ECOGLO IS SUBJECT TO PATENTS ISSUED
US7297388 AND US6726952 AND
OR PENDING IN THE UNITED STATES,
AUSTRALIA, CANADA AND INTERNATIONALLY.

® ECOGLO LOGO IS A TRADE MARK
REGISTERED IN THE UNITED STATES, CANADA
AND INTERNATIONALLY.

MATERIAL LIST

ITEM	DESCRIPTION	PART NO.	QTY
1	PREMIUM URETHANE ADHESIVE		
2	PROFAST #8x1-1/4" 18-8 S/S PHILIPS FLAT HEAD CONCRETE SCREW FASTENAL #8x1-1/4" 18-8 FLAT HEAD WOOD SCREW		
3	ANCHOR 0.25" x 1-3/16" (6mm x 30mm) PLASTIC ANCHOR		

REFERENCE DRAWINGS

DWG. NO.	DESCRIPTION
G3-GS	G3 GUIDANCE STRIP

No.	DATE	REVISION	APPR.

SCALE N.T.S.

DESIGNED BY	ECOGLO	DATE	2002
DRAWN BY	A.M.	DATE	07/29/08
CHECKED BY	K.S.	DATE	08/11/08

PROJECT MANAGER	D.M.	PART NO.	F5101-FN
TRADE	FLAT NOSING		

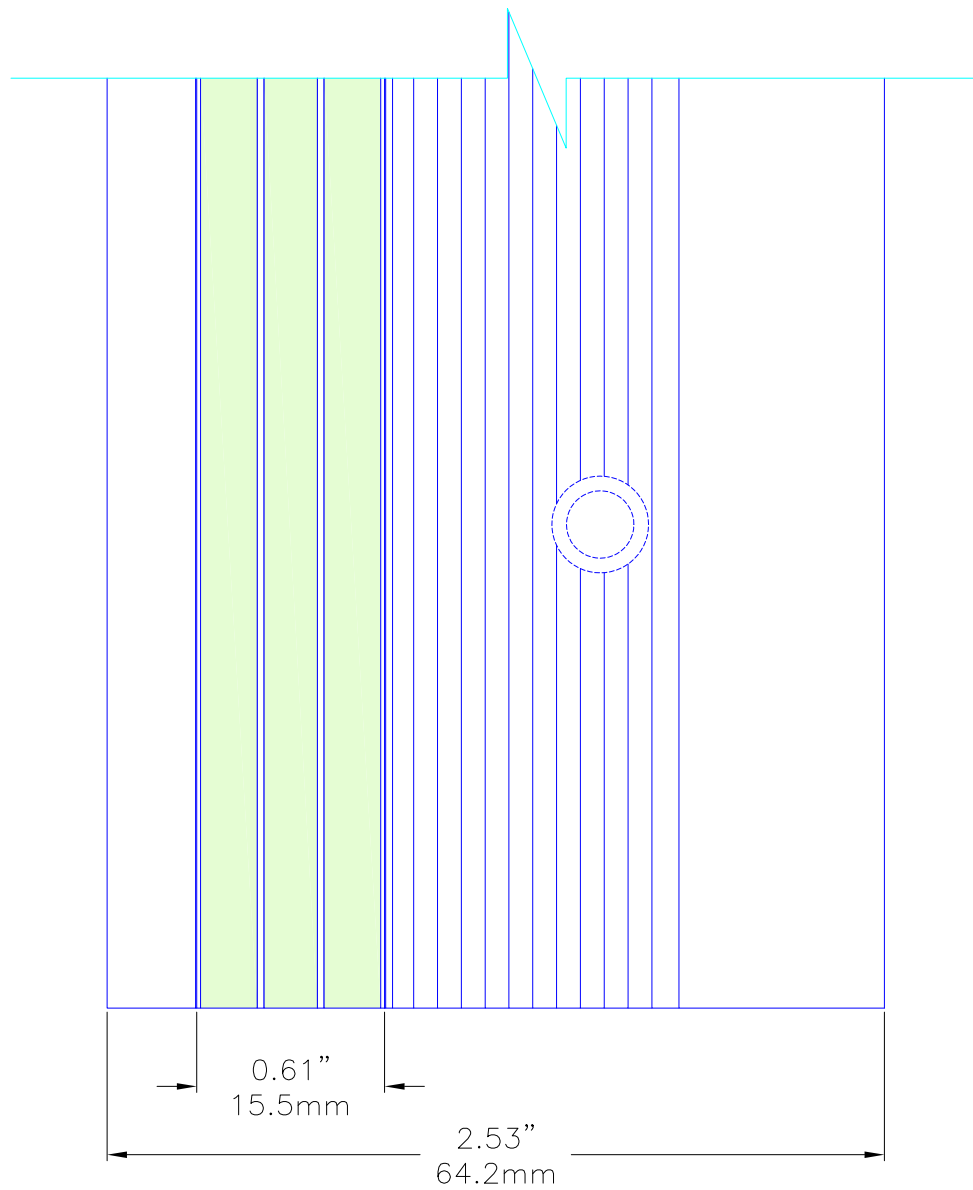
MATERIAL PLM
NON-SLIP
ALUMINUM



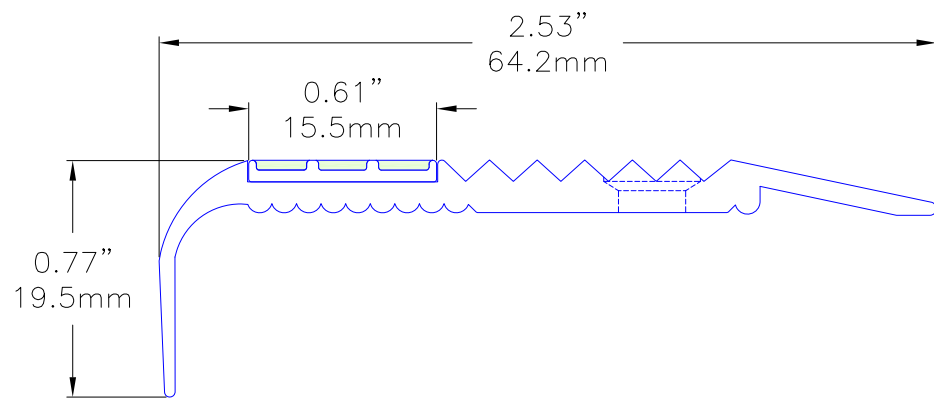
PROJECT

ECOGLO
F5 SERIES FLAT NOSING
WITH G SERIES INSERTS

DRAWING NO.	SHT. NO.	REV. NO.
F5S-FN	01	00

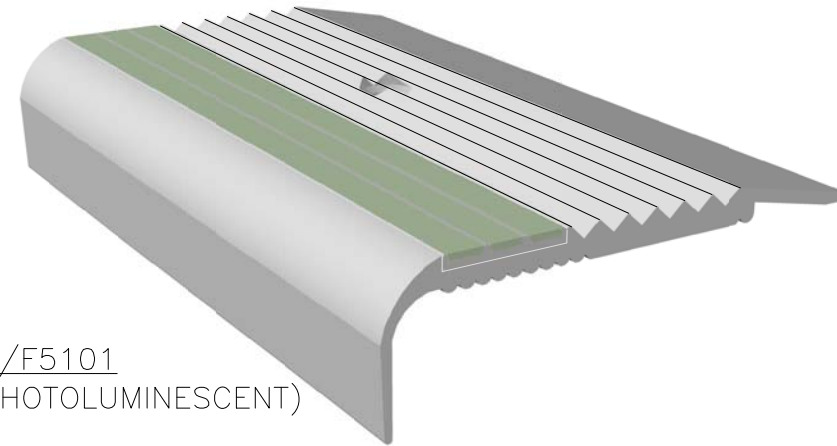


ECOGLO-TOP
F5101 SERIES WITH G3 SERIES INSERT

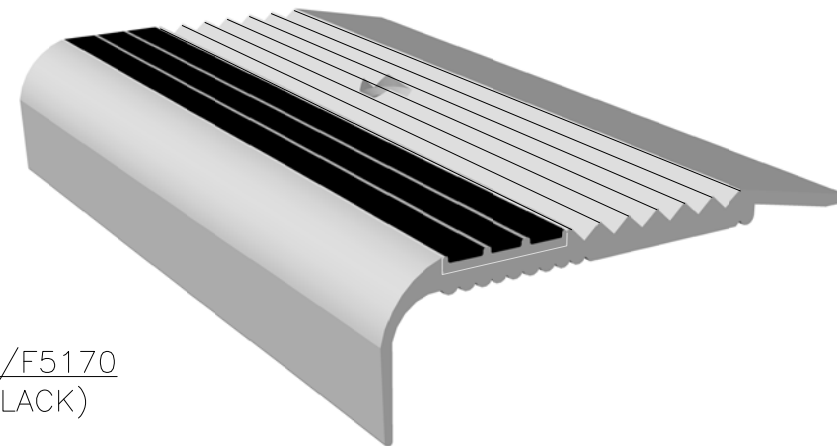


ECOGLO-PROFILE
F5101 SERIES WITH G3 SERIES INSERT

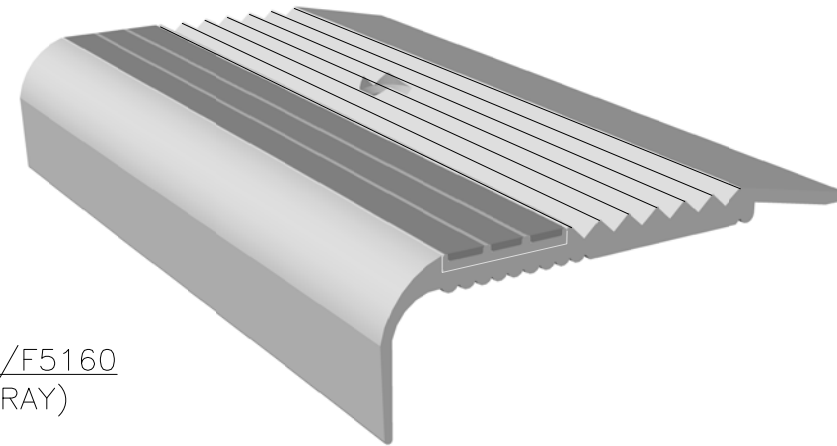
ECOGLO FLAT NOSING F5 SERIES/F5101
WITH G3001 NON-SLIP STRIP (PHOTOLUMINESCENT)
SEE DWG. G3SS



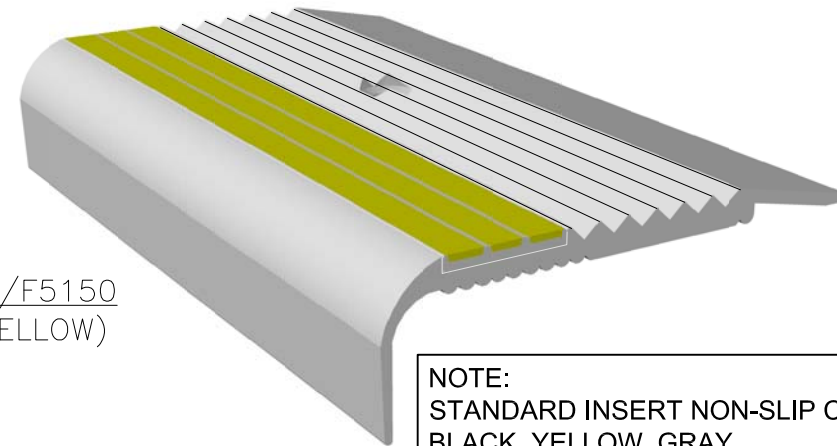
ECOGLO FLAT NOSING F5 SERIES/F5170
WITH G3070 NON-SLIP STRIP (BLACK)
SEE DWG. G3SS



ECOGLO FLAT NOSING F5 SERIES/F5160
WITH G3060 NON-SLIP STRIP (GRAY)
SEE DWG. G3SS



ECOGLO FLAT NOSING F5 SERIES/F5150
WITH G3050 NON-SLIP STRIP (YELLOW)
SEE DWG. G3SS



NOTE:
STANDARD INSERT NON-SLIP COLORS:
BLACK, YELLOW, GRAY