

© 2008 ACCESS PRODUCTS INC.
CONFIDENTIAL AND PROPRIETARY DOCUMENT

ECOGLO IS SUBJECT TO PATENTS ISSUED
US7297388 AND US6726952 AND
OR PENDING IN THE UNITED STATES,
AUSTRALIA, CANADA AND INTERNATIONALLY.

® ECOGLO LOGO IS A TRADE MARK
REGISTERED IN THE UNITED STATES, CANADA
AND INTERNATIONALLY.

MATERIAL LIST

ITEM	DESCRIPTION	PART NO.	QTY
1	PREMIUM URETHANE ADHESIVE		
2	PROFAST #6x1-1/4" 18-8 S/S PHILIPS FLAT HEAD CONCRETE SCREW FASTENAL #6x1-1/4" 18-8 FLAT HEAD WOOD SCREW		
3	ANCHOR 0.25" x 1-3/16" (6mm x 30mm) PLASTIC ANCHOR		

REFERENCE DRAWINGS

DWG. NO.	DESCRIPTION
E20-CS	E20 SERIES-CONTRAST

No.	DATE	REVISION	APPR.

SCALE N.T.S.

DESIGNED BY	ECOGLO	DATE	2002
DRAWN BY	A.M.	DATE	07/29/08
CHECKED BY	K.S.	DATE	08/11/08

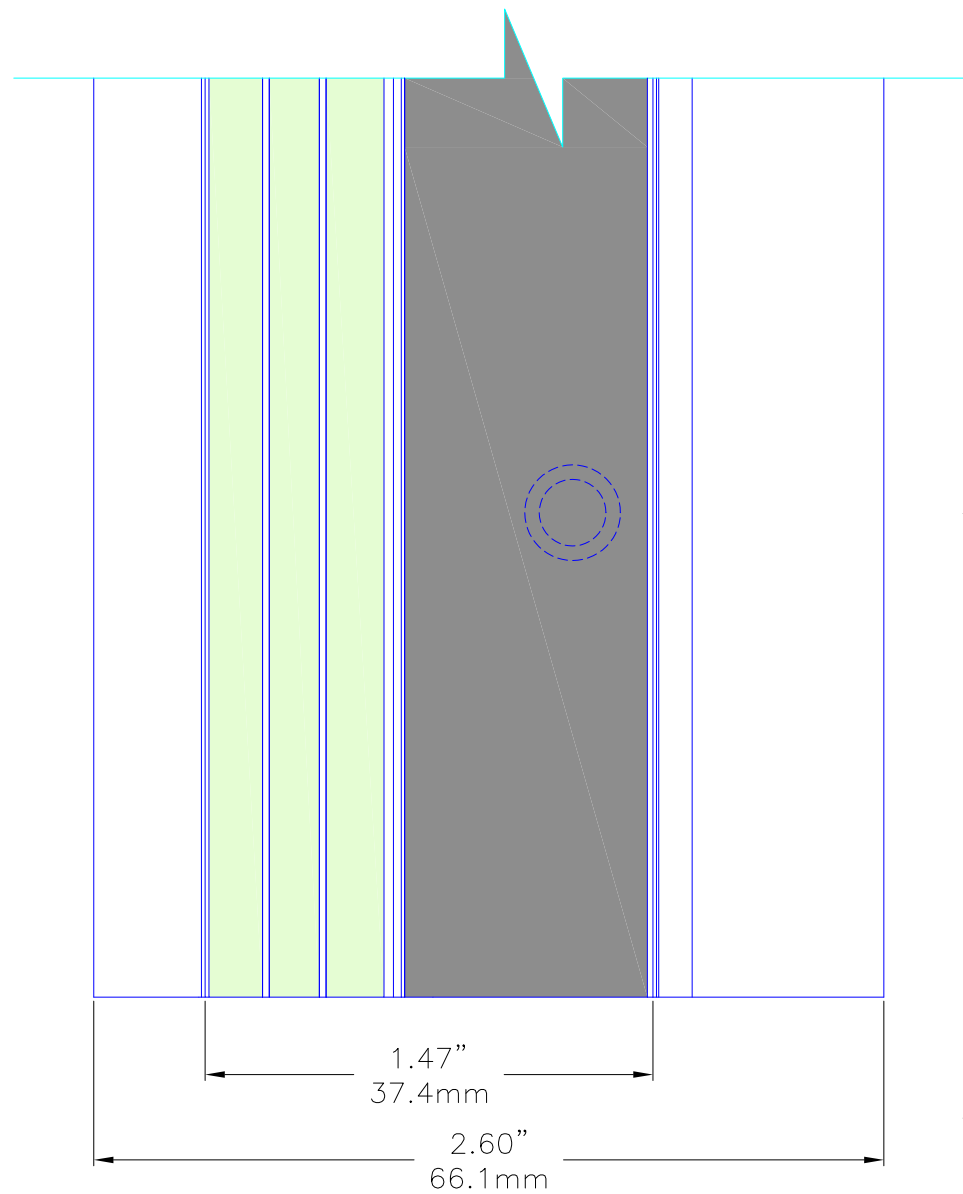
PROJECT MANAGER	D.M.	PART NO.	C5S-CN
TRADE	CARPET NOSING		

MATERIAL
PLM
NON-SLIP
ALUMINUM

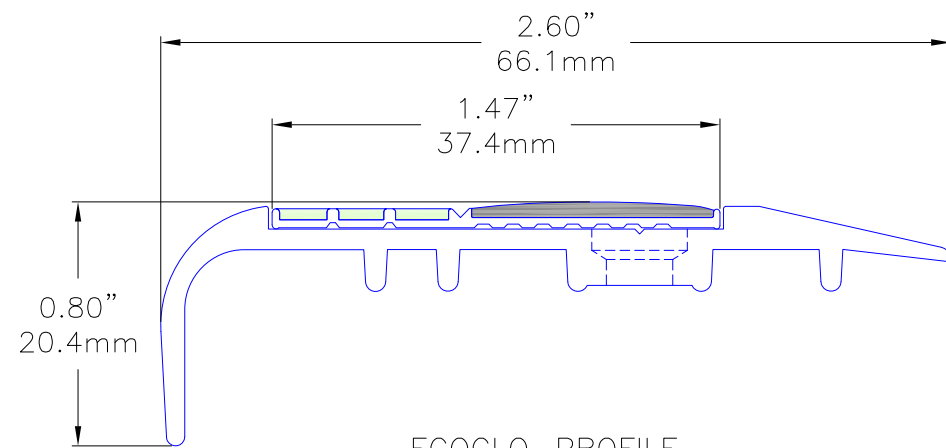
SUBJECT
 ecoglo
VISIBLY BETTER

PROJECT
ECOGLO
C5 SERIES CARPET NOSING
WITH E20 SERIES INSERTS

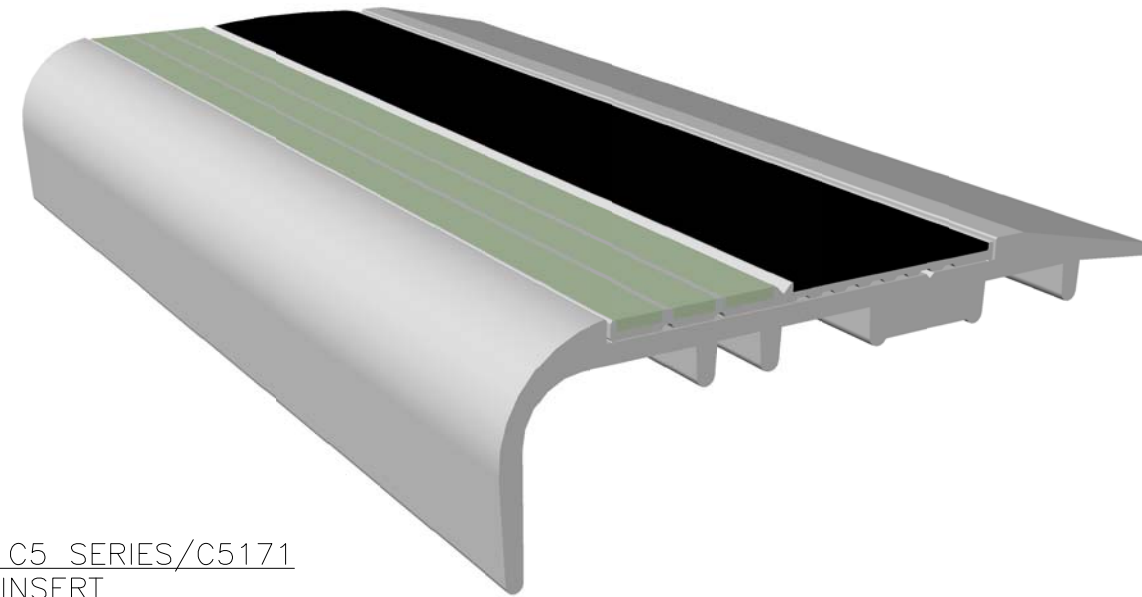
DRAWING NO.	SHT. NO.	REV. NO.
C5S-CN	01	00



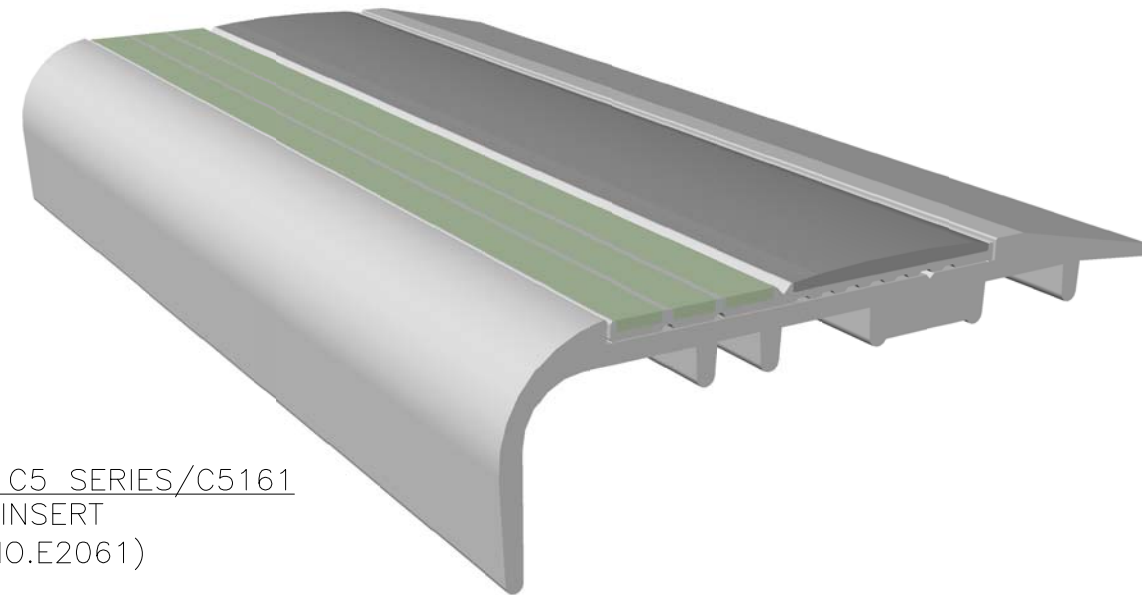
ECOGLO-TOP
C5 SERIES WITH E20 SERIES INSERT



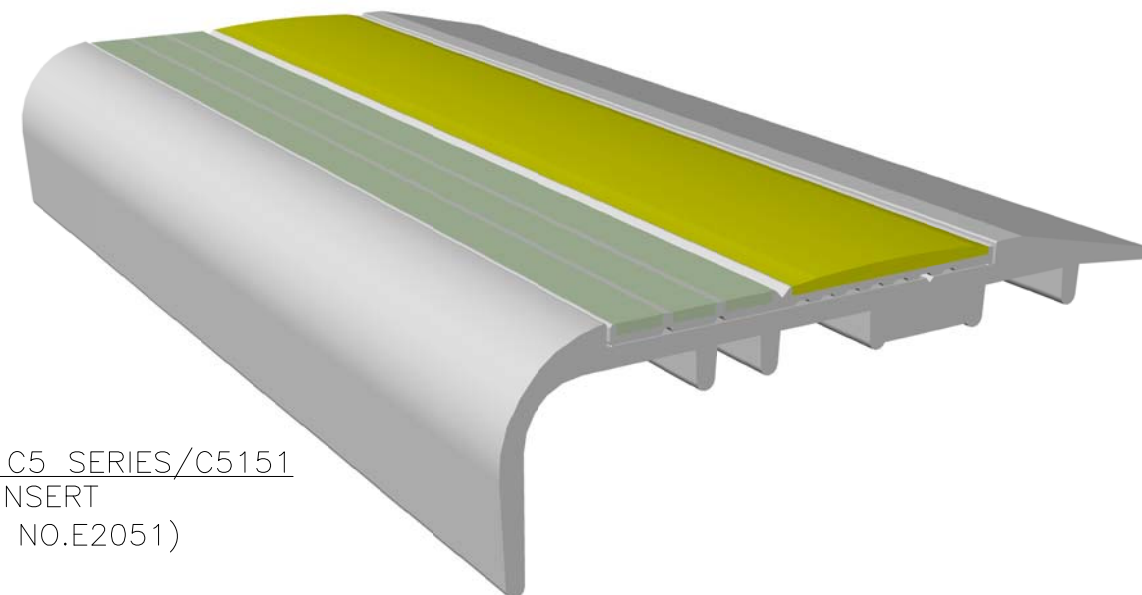
ECOGLO-PROFILE
C5 SERIES WITH E20 SERIES INSERT



ECOGLO CARPET NOSING C5 SERIES/C5171
WITH E20 SERIES STRIP INSERT
BLACK NON-SLIP (PART NO.E2071)
SEE DWG. E20S-CS



ECOGLO CARPET NOSING C5 SERIES/C5161
WITH E20 SERIES STRIP INSERT
GRAY NON-SLIP (PART NO.E2061)
SEE DWG. E20S-CS



ECOGLO CARPET NOSING C5 SERIES/C5151
WITH E20 SERIES STRIP INSERT
YELLOW NON-SLIP (PART NO.E2051)
SEE DWG. E20S-CS